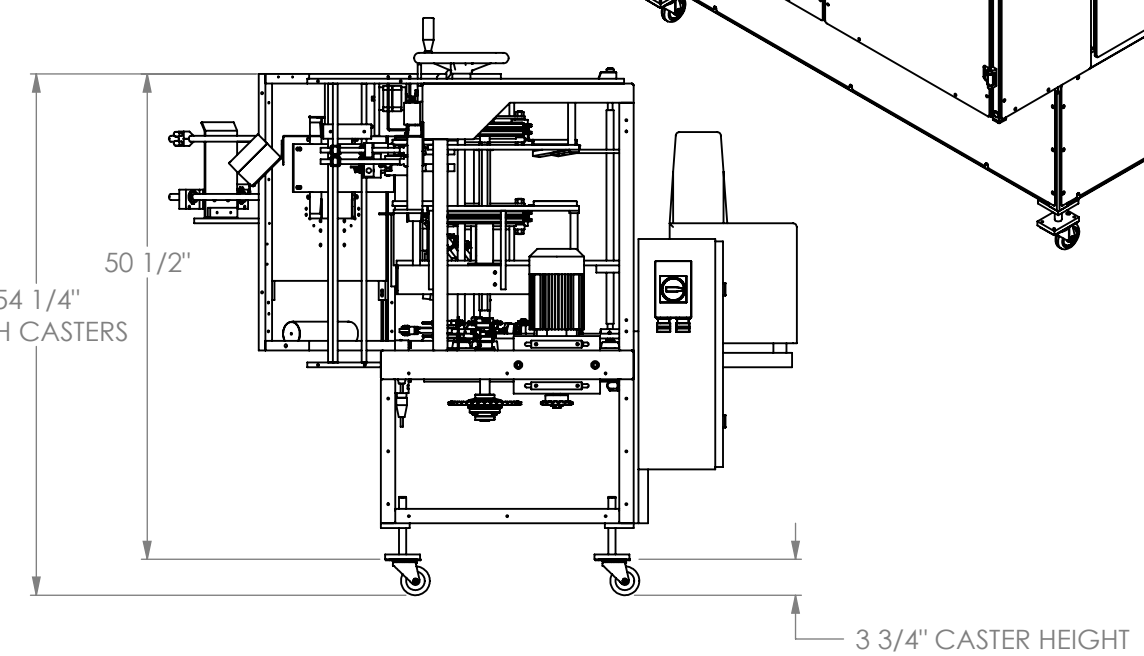
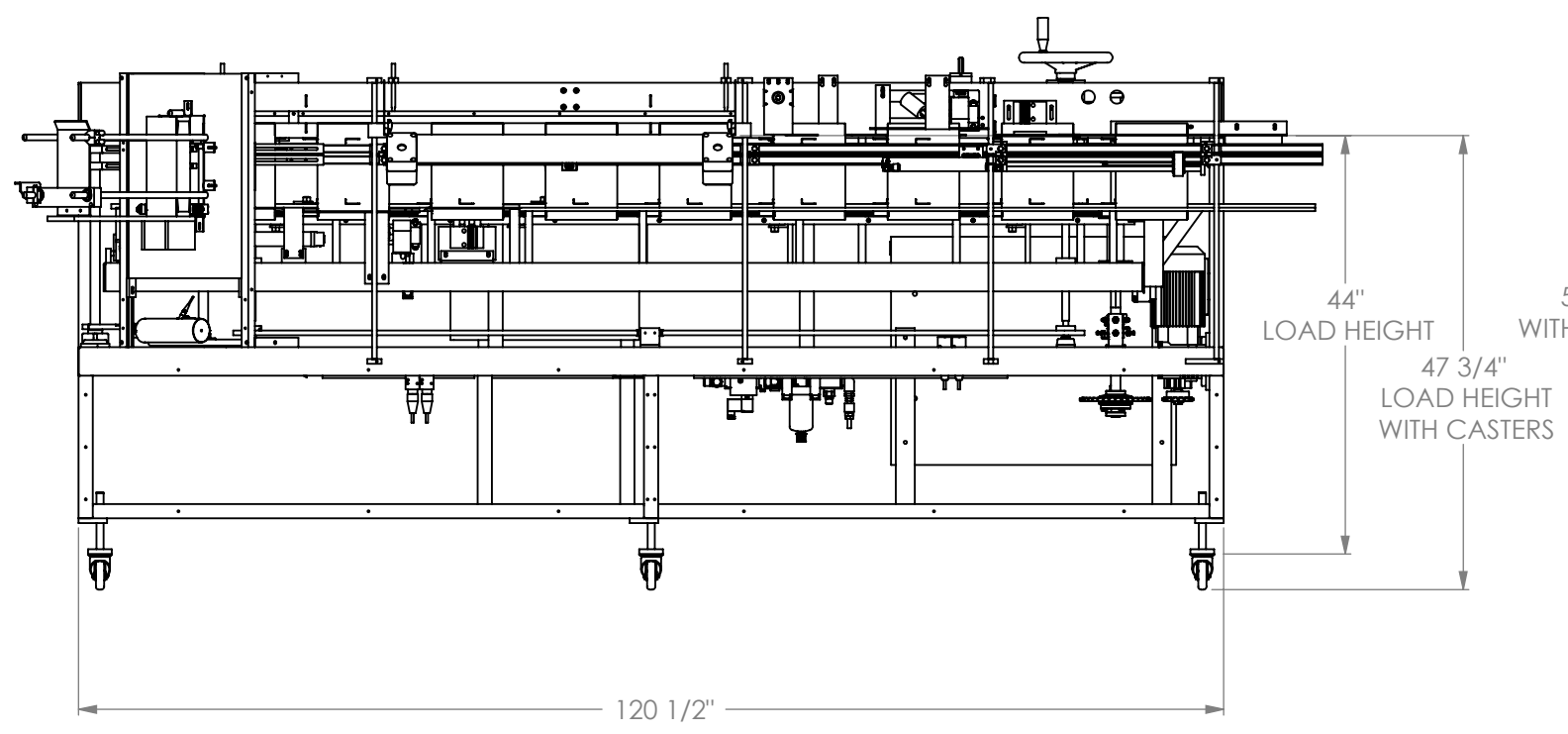
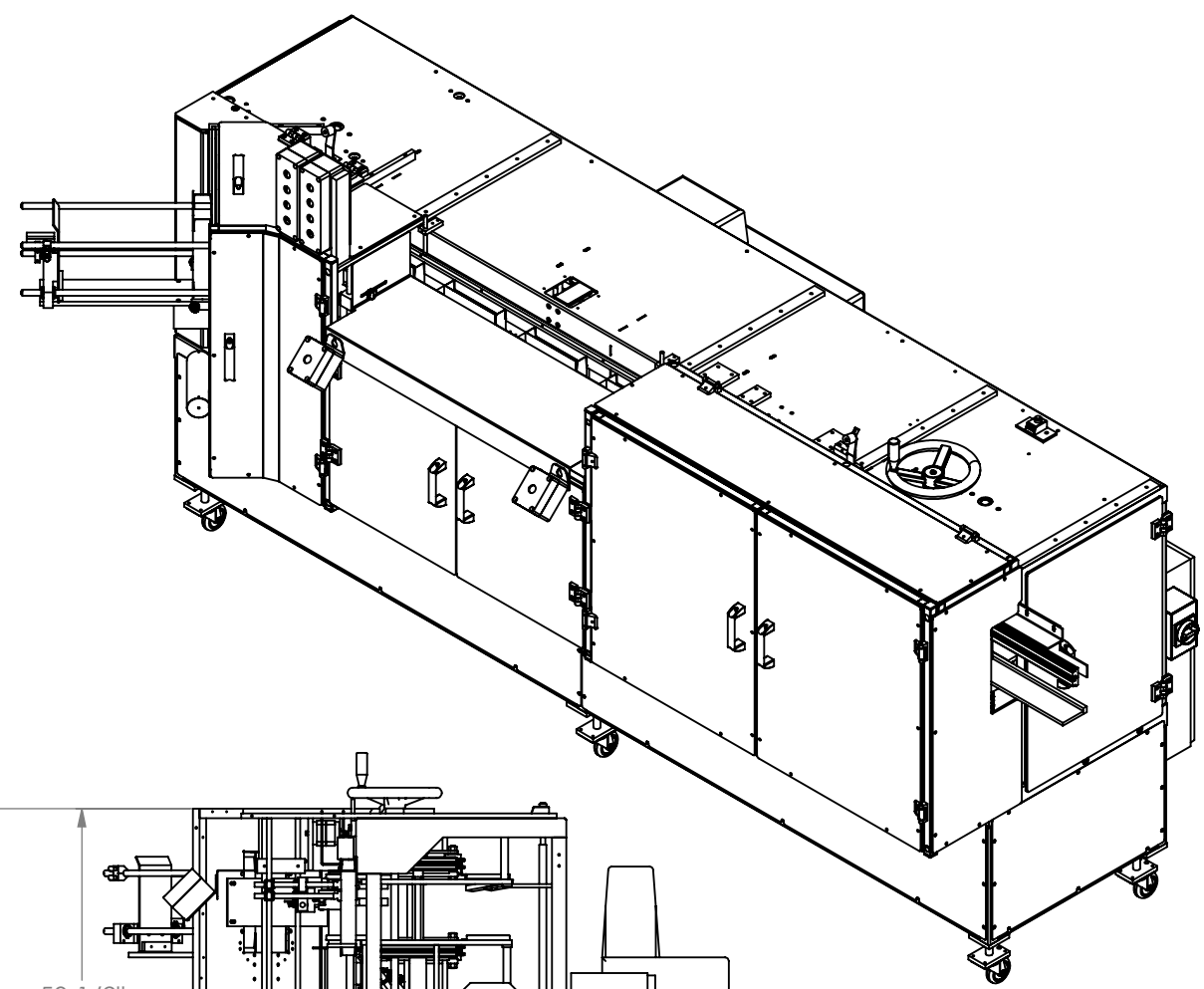
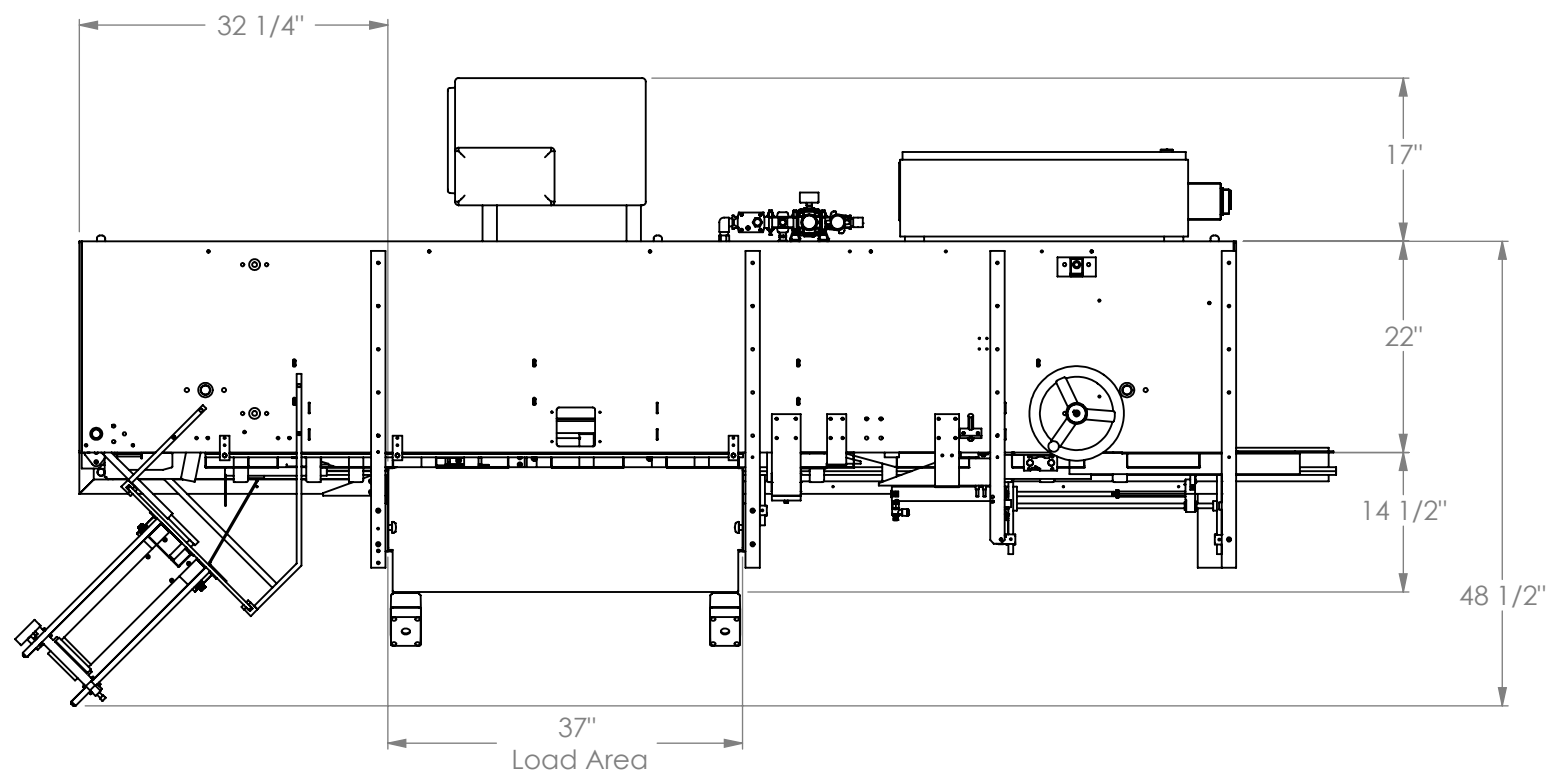


REVISIONS			
REV.	DESCRIPTION	DATE	APPROVED



SHOWN WITH CASTERS FOR REFERENCE.

QTY	1	VERSION	
FINISH	NONE		
JOB NUMBER			
JOB NAME			
ENG			

**MANUFACTURING NOTES:**  
REMOVE BURRS AND SHARP EDGES

**PROPRIETARY AND CONFIDENTIAL**  
THE INFORMATION CONTAINED IN THIS DRAWING IS THE SOLE PROPERTY OF ECONOCORP INC. ANY REPRODUCTION IN PART OR AS A WHOLE WITHOUT THE WRITTEN PERMISSION OF ECONOCORP INC. IS PROHIBITED.

THIRD ANGLE PROJECTION

DIMENSIONS ARE IN INCHES  
TOLERANCES:  
FRACTIONAL ± 1/64  
ANGULAR: MACH ± 0.5°  
TWO PLACE DECIMAL ± 0.01  
THREE PLACE DECIMAL ± 0.005

<b>ECONOCORP INC.</b>			
TITLE <b>V-SYSTEM RH</b>			
DRAWN BY	DATE DRAWN	SIZE	DWG. NO.
FBW	6/21/11	B	9756-500
SIMILAR TO:	USED ON:	SCALE: 1:24	SHEET 1 OF 1